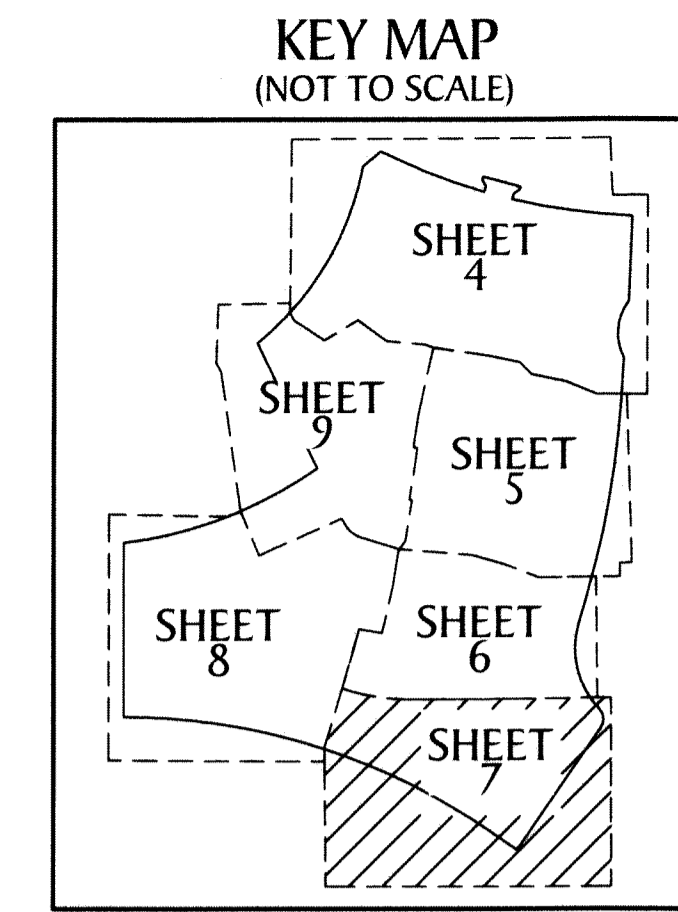
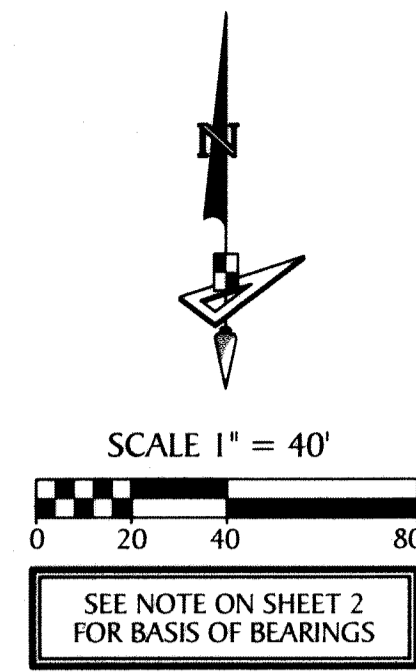
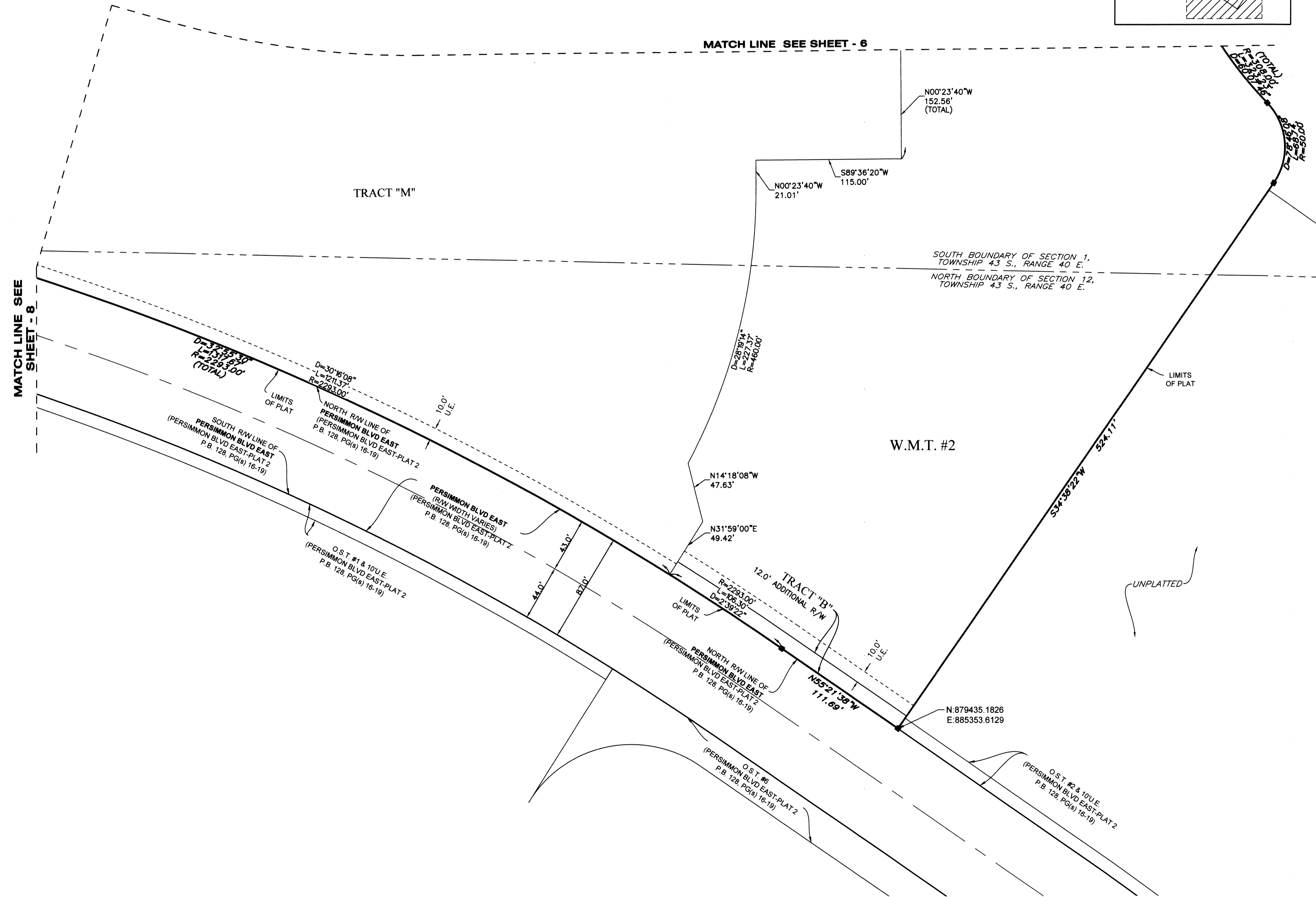


SKY COVE - PHASE 1 A

A SUBDIVISION IN SECTIONS 1 AND 12, TOWNSHIP 43 SOUTH, RANGE 40 EAST, CITY OF WESTLAKE, PALM BEACH COUNTY, FLORIDA, BEING IN PART A REPLAT OF PORTIONS OF TOWN CENTER PARKWAY NORTH, PLAT BOOK 123, PAGES 106 THROUGH 118, INCLUSIVE, TOWN CENTER PARKWAY SOUTH - PHASE II, PLAT BOOK 126, PAGES 114 AND 115 AND PERSIMMON BOULEVARD EAST - PLAT 2, PLAT BOOK 128, PAGES 16 THROUGH 19, INCLUSIVE, PUBLIC RECORDS OF PALM BEACH COUNTY, FLORIDA



135



LEGEND

P.B.	PLAT BOOK
D.B.	DEED BOOK
R.P.B.	ROAD PLAT BOOK
PG./PG(s)	PAGE(S)
W.M.T.	WATER MANAGEMENT TRACT
O.S.T.	OPEN SPACE TRACT
R.P.E.	RURAL PARKWAY EASEMENT
P.B.C.	PALM BEACH COUNTY
NAD	NORTH AMERICAN DATUM
U.E.	UTILITY EASEMENT
D.E.	DRAINAGE EASEMENT
L.A.E.	LIMITED ACCESS EASEMENT
L.M.A.E.	LAKE MAINTENANCE ACCESS EASEMENT
R	RADIUS
L	ARC LENGTH
D	DELTA ANGLE
CB	CHORD BEARING
C	CHORD
(R)	RADIAL
(NR)	NON-RADIAL
1-43-41	SECTION-TOWNSHIP-RANGE
□	FOUND PERMANENT REFERENCE MONUMENT
■	SET PERMANENT REFERENCE MONUMENT
●	PERMANENT CONTROL POINT
R/W	RIGHT-OF-WAY